

Overpressure Valve

Type Z 500 D

(NATO-Stock-Number 4240-99-982-0216)



Overview

The Overpressure Valve Type **Z 500 D** is designed to regulate the differential pressure between the different areas inside the shelter. The valve is normally closed. It conforms to the Israeli, Singaporean, and Swiss standards. The Valve is tested and certified by the Civil Defence Command and the Standards Institution of Israel.

Description

The Overpressure Valve Type **Z 500 D** is maintenance-free and temperature and corrosion resistant. The differential pressure between rooms may be adjusted to the required value. The valve must only be installed inside the protected area.

Illustration:

1. Connection 'Flange
2. Seal
3. Handle

PRODUCT USE:

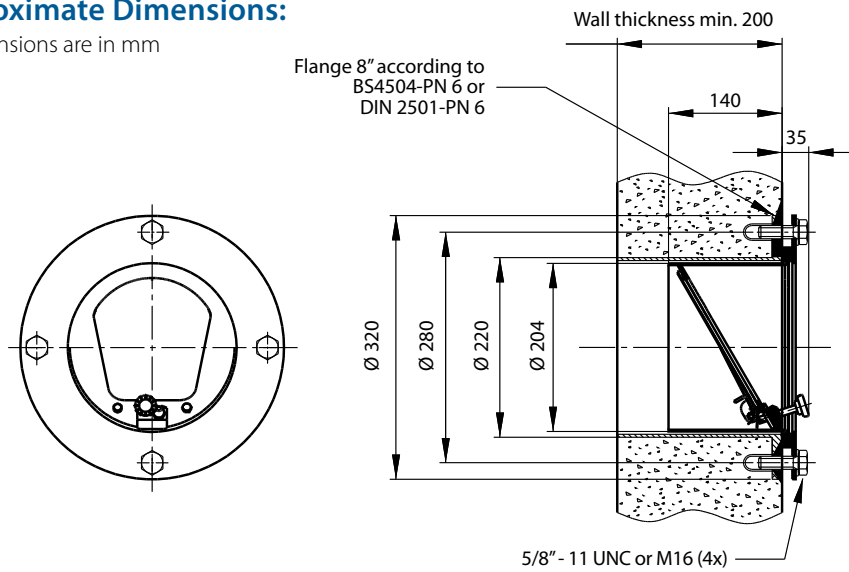
- Must be Installed between the main shelter and the decontamination area/ sanitary rooms
- Installed on an 8" flange according to BS 4504 – PN 6 or DIN 2501 – PN 6
- Should be installed only with equipment that has been manufactured by Beth-El Industries to ensure maximum performance





Approximate Dimensions:

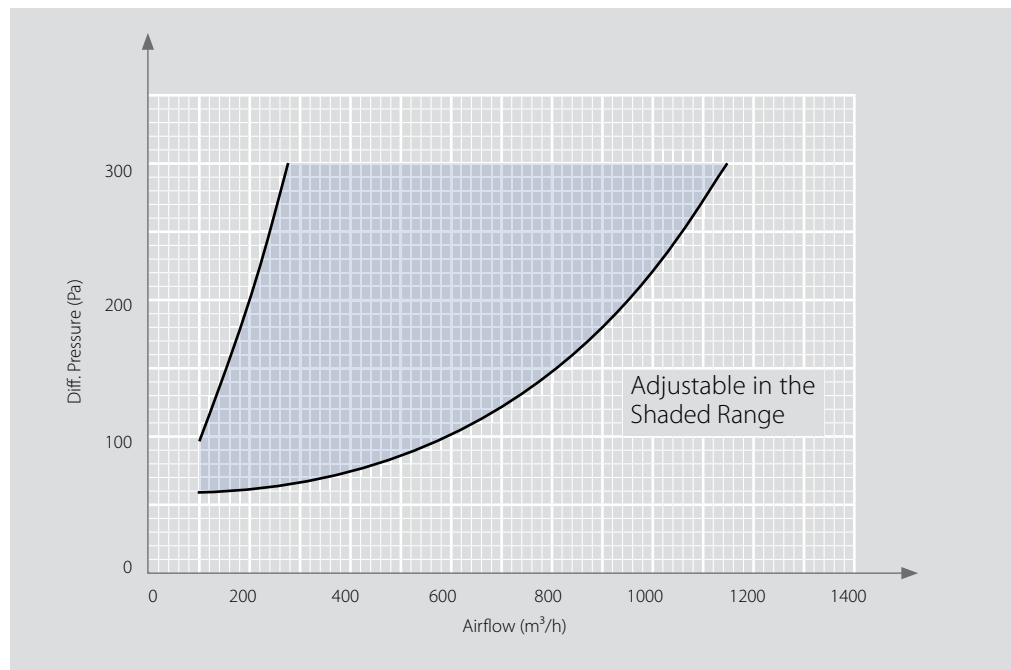
all dimensions are in mm



CERTIFICATIONS:

- Tested and certified to IS 4570 by the Standards Institution of Israel
- Approved by the Civil Defence Command of Israel
- Quality control according to ISO 9001
- Quality assurance AQAP 2110

Pressure Drop on Airflow Z 500 D



Specifications for the Z 500 D:

Product No:	B11473	
Airflow Rate:	0-1000 (0-578)	m ³ /h (cfm)
Flow Resistance:	See Diagram	
Working Temperature:	-5 to 70 (+20 to +160)	°C (°F)
Mechanical Shock Resistance:	20	g

Beth-El Zikhron Yaaqov Industries Ltd.

1 Avshalom Road
Zikhron Yaaqov, Israel
Tel: + 972-4-629 0000
www.beind.com

Specifications are subject to change without prior notice.