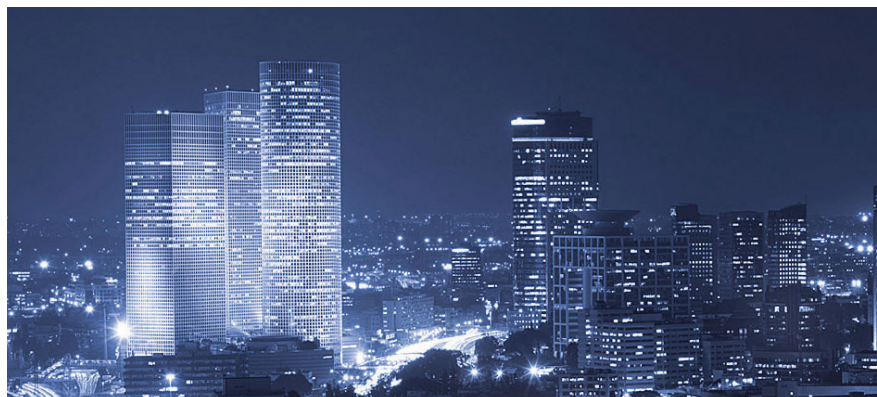
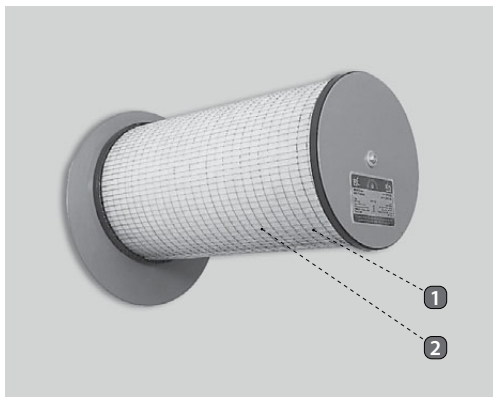


Blast Valve with Prefilter

Type ESVF 2403 X



Overview

The Blast Valve with Prefilter Type **ESVF 2403 X** is a heavy duty valve that protects the interior of a shelter from blast waves caused by outside explosions. A prefilter with an efficiency of 85% is fully integrated. The valve is normally open. If the airflow rate exceeds the nominal value by approximately 80 %, the valve will close instantly. It can withstand blast waves of 3 bar (42 psi) (in-falling pressure). The valve is tested and certified to the Israeli Standard 4570 by the Civil Defence Command and the Standards Institution of Israel.

Description

The Blast Valve with Prefilter Type **ESVF 2403 X** protects against explosive and implosive waves. It is maintenance-free and temperature and corrosion resistant. The springs are manufactured from special stainless steel and all steel parts are phosphate treated and finished with a powder coating.

Illustration:

1. Closing Device
2. Prefilter

PRODUCT USE:

- Installed at air intake inside blast protected shelter in a vertical position to ensure proper operation
- Installed on an 8" flange according to BS 4504 - PN 6 or DIN 2501 - PN 6
- Should be installed only with equipment that has been manufactured by Beth-El Industries to ensure maximum performance



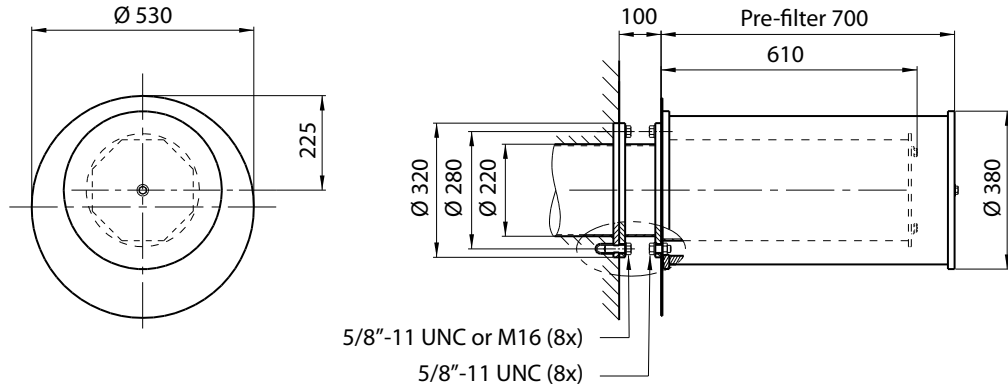
Certified Quality Assurance Program According to AQAP-2110





Approximate Dimensions:

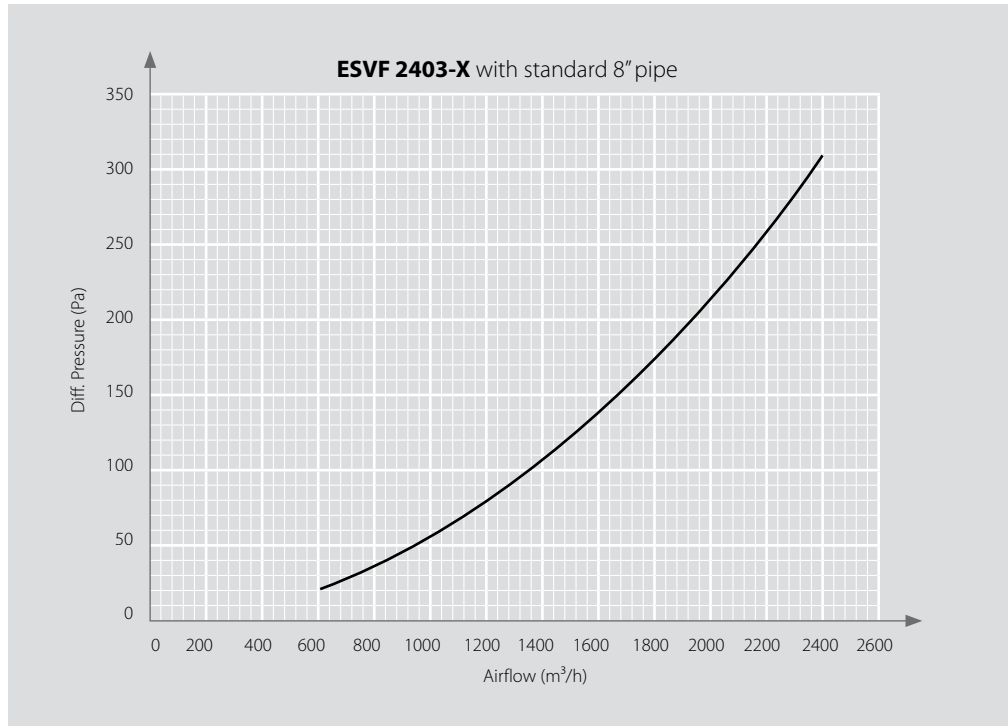
all dimensions are in mm



CERTIFICATIONS:

- Tested and certified to IS 4570 by the Standards Institution of Israel
- Approved by the Civil Defence Command of Israel
- Quality control according to ISO 9001
- Quality assurance AQAP 2110

Pressure Drop on Airflow ESVF 2403 X (without Protective Housing):



Specifications for the ESVF 2403 X (without Protective Housing):

Product No:	B02807	
Airflow Rate:	Up to 3000 (1770)	m^3/h (cfm)
Flow Resistance:	See Diagram	
Incident Pressure Durability:	300 (42)	kPa (psi)
Reflected Pressure Durability:	1100 (154)	kPa (psi)
Working Temperature:	-25 to +55 (-13 to +131)	$^{\circ}\text{C}$ ($^{\circ}\text{F}$)
Mechanical Shock Resistance:	20	g

Specifications are subject to change without prior notice.

Beth-El Industries Ltd.

1 Avshalom Road
Zikhron Yaaqov, Israel
Tel: + 972-4-629 9999
www.beind.com