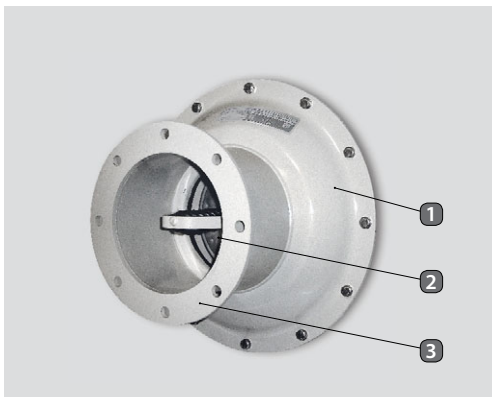


## Blast Valve

### Type E 803 - 8"



#### Overview

The Blast Valve Type **E 803-8** is a heavy duty valve that protects the interior of a shelter from blast waves caused by outside explosions. The valve is normally open. If the airflow rate exceeds the nominal value by approximately 80 %, the valve will close instantly. It can withstand blast waves of 3 bar (42 psi) (in-falling pressure). The valve is tested and certified to the Israeli Standards 4570 by the Civil Defence Command and the Standards Institution of Israel.

#### Description

The Blast Valve Type **E 803** protects against explosive and implosive waves. It is maintenance-free and temperature and corrosion resistant. The springs are manufactured from special stainless steel and all steel parts are phosphate treated and finished with a powder coating.

#### Illustration:

1. Housing
2. Closing Disk
3. Connection Flange 8"

#### PRODUCT USE:

- Installed at air Intake inside blast protected shelter
- Installed on an 8" flange according to BS 4504 - PN 6 or DIN 2501 - PN 6
- Should be Installed only with equipment that has been manufactured by Beth-El Industries to ensure maximum performance



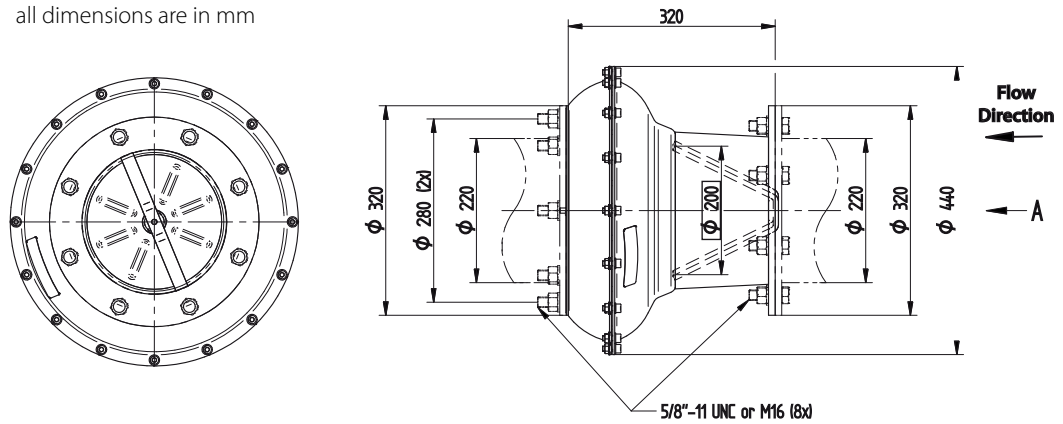
Certified Quality Assurance Program According to AQAP-2110





## Approximate Dimensions:

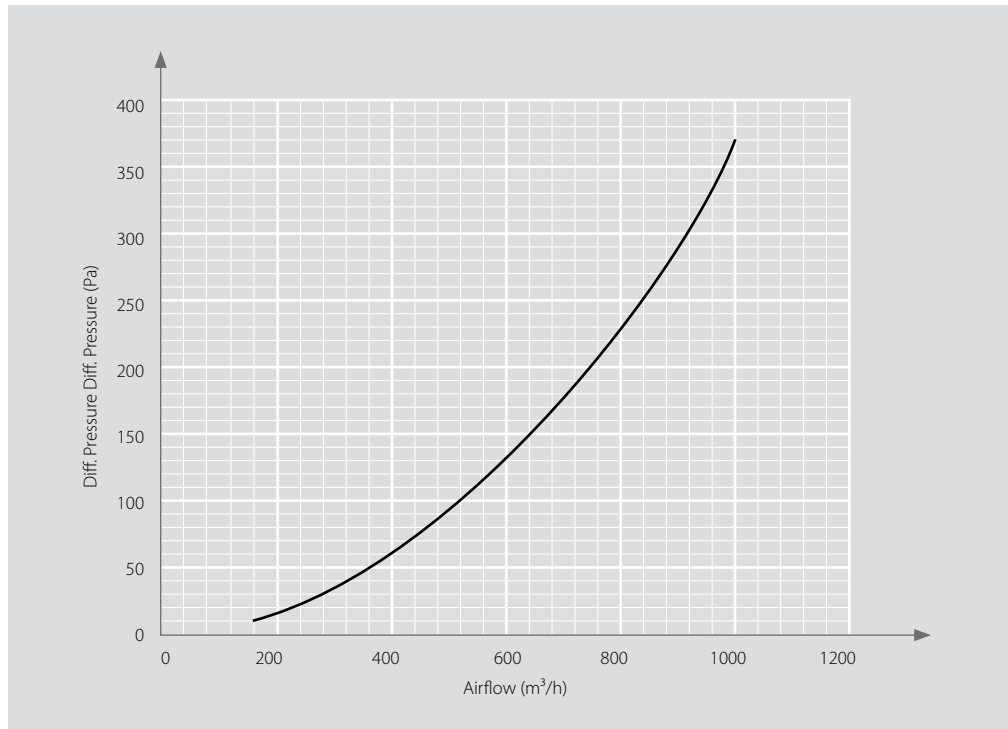
all dimensions are in mm



## CERTIFICATIONS:

- Tested and certified to IS 4570 by the Standards Institution of Israel
- Approved by the Civil Defence Command of Israel
- Quality control according to ISO 9001
- Quality assurance AQAP 2110

## Pressure Drop on Airflow E 803-8:



## Specifications for the E 803-8:

Product No:	B00640AA-01	
Airflow Rate:	150 – 1000 (89 – 710)	m³/h (cfm)
Flow Resistance:	See Diagram	
Incident Pressure Durability:	300 (42)	kPa (psi)
Reflected Pressure Durability:	1100 (154)	kPa (psi)
Working Temperature:	+5 to +70 (+40 to +160)	°C (°F)
Mechanical Shock Resistance:	20	g

Specifications are subject to change without prior notice.

## Beth-El Zikhron Yaaqov Industries Ltd.

1 Avshalom Road  
Zikhron Yaaqov, Israel  
Tel: + 972-4-629 0000  
www.beind.com