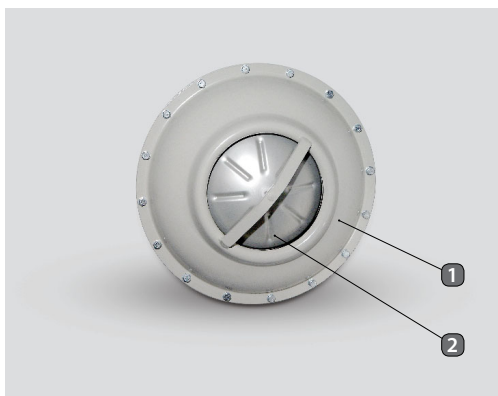


# Overpressure Blast Valve

## Type A 803



### Description

The Overpressure Blast Valve Type **A 803** is designed to release air from the shelter while maintaining a constant overpressure and also to protect against explosive and implosive blast waves. The valve is normally closed, is maintenance-free, and withstands heat and corrosion. The springs are manufactured from special stainless steel and all steel parts are phosphate treated and finished with a powder coating.

### Overview

The Overpressure Blast Valve Type **A 803** is used to stop explosive blast waves from entering a bomb shelter as well as to regulate the air pressure inside the shelter. The valve is tested and certified to the Israeli Standard 4570 by the Civil Defence Command and the Standards Institution of Israel.

#### Illustration:

1. Protective Housing
2. Closing Disk

#### PRODUCT USE:

- Installed in vertical position at the air intake inside the shelter to ensure proper operation
- Installed on an 8" flange according to BS 4504 – PN 6 or DIN 2501 – PN 6
- Should be installed only with equipment that has been manufactured by Beth-El Industries to ensure maximum performance



Certified Quality Assurance Program According to **AQAP-2110**



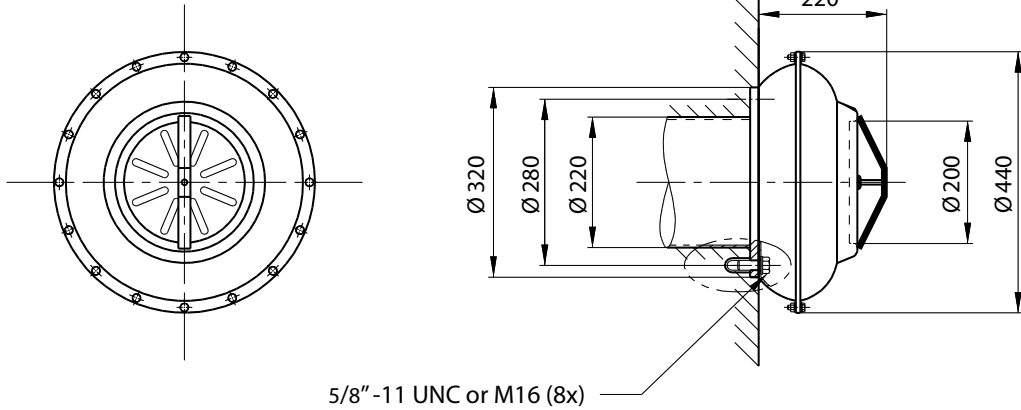
CBRN-Filtration & Ventilation Systems





### Approximate Dimensions:

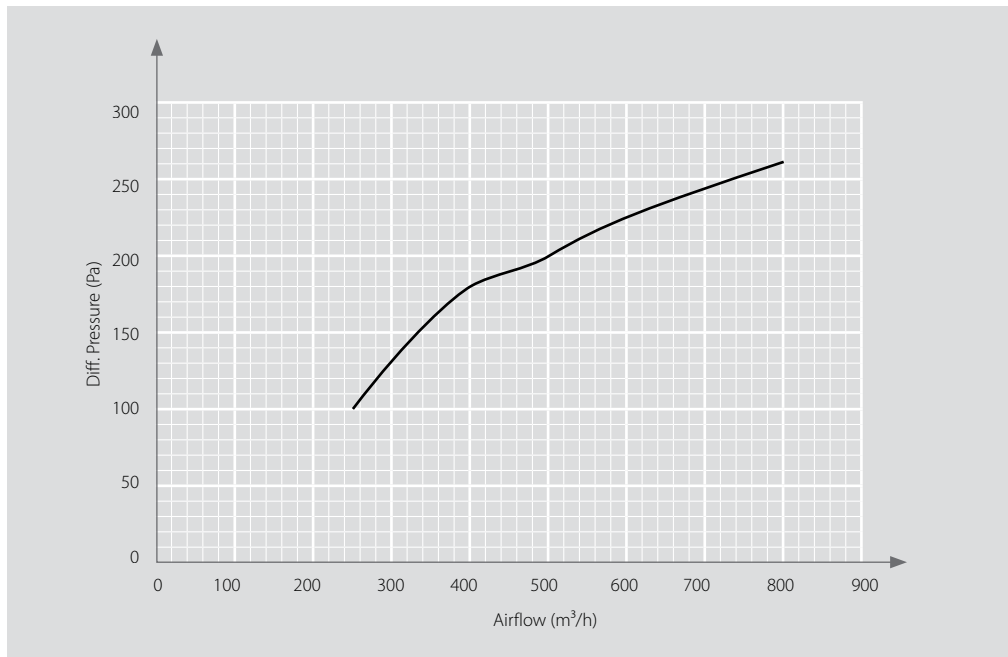
all dimensions are in mm



### CERTIFICATIONS:

- Tested and certified to IS 4570 by the Standards Institution of Israel
- Approved by the Civil Defence Command of Israel
- Quality control according to ISO 9001
- Quality assurance AQAP 2110

### Pressure Drop on Airflow A 803:



### Specifications for the A 803:

|                                |                          |                         |
|--------------------------------|--------------------------|-------------------------|
| Product No:                    | B10600                   |                         |
| Airflow Rate:                  | 200 – 800 (115 – 470)    | m <sup>3</sup> /h (cfm) |
| Pressure Drop:                 | See Diagram              |                         |
| Incident Pressure Durability:  | 300 (42)                 | kPa (psi)               |
| Reflected Pressure Durability: | 1100 (154)               | kPa (psi)               |
| Operation Temperature:         | +5 to +70 (+ 40 to +160) | °C (°F)                 |
| Mechanical Shock Resistance:   | 20                       | g                       |

Specifications are subject to change without prior notice.

### Beth-El Zikhron Yaaqov Industries Ltd.

1 Avshalom Road  
Zikhron Yaaqov, Israel  
Tel: + 972-4-629 0000  
www.beind.com