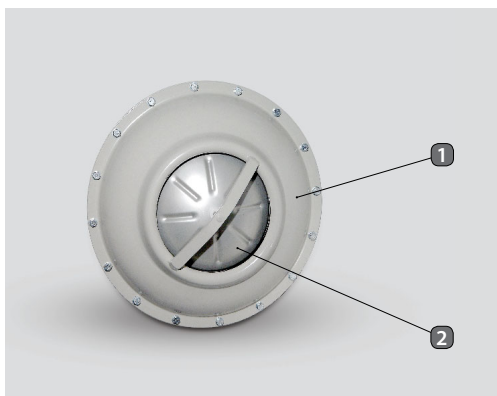


Overpressure Blast Valve

Type A 483



Description

The Overpressure Blast Valve Type **A 483** is designed to release air from the shelter while maintaining a constant overpressure and also to protect against explosive and implosive blast waves. The valve is normally closed, is maintenance-free, and withstands heat and corrosion. The springs are manufactured from special stainless steel and all steel parts are phosphate treated and finished with a powder coating.

Overview

The Overpressure Blast Valve Type **A 483** is a valve used to stop explosive blast waves from entering a bomb shelter, as well as to regulate the air pressure in the shelter. The valve is tested and certified to the Israeli Standard 4570 by the Civil Defence Command and the Standards Institution of Israel.

Illustration:

1. Housing
2. Closing Disk

PRODUCT USE:

- Installed inside the shelter in a vertical position to ensure proper operation
- Installed on an 8" flange according to BS 4504 – PN 6 or DIN 2501 – PN 6
- Should be installed only with equipment that has been manufactured by Beth-El Industries to ensure maximum performance

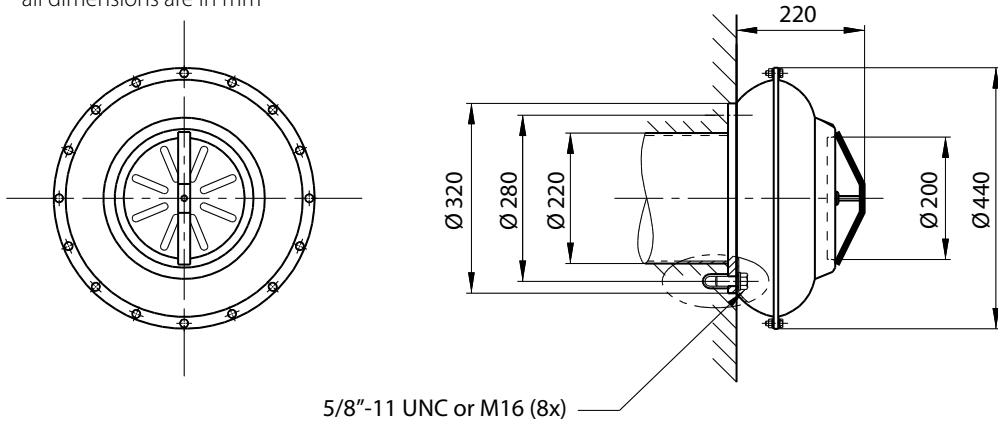
CBRN-Filtration & Ventilation Systems





Approximate Dimensions:

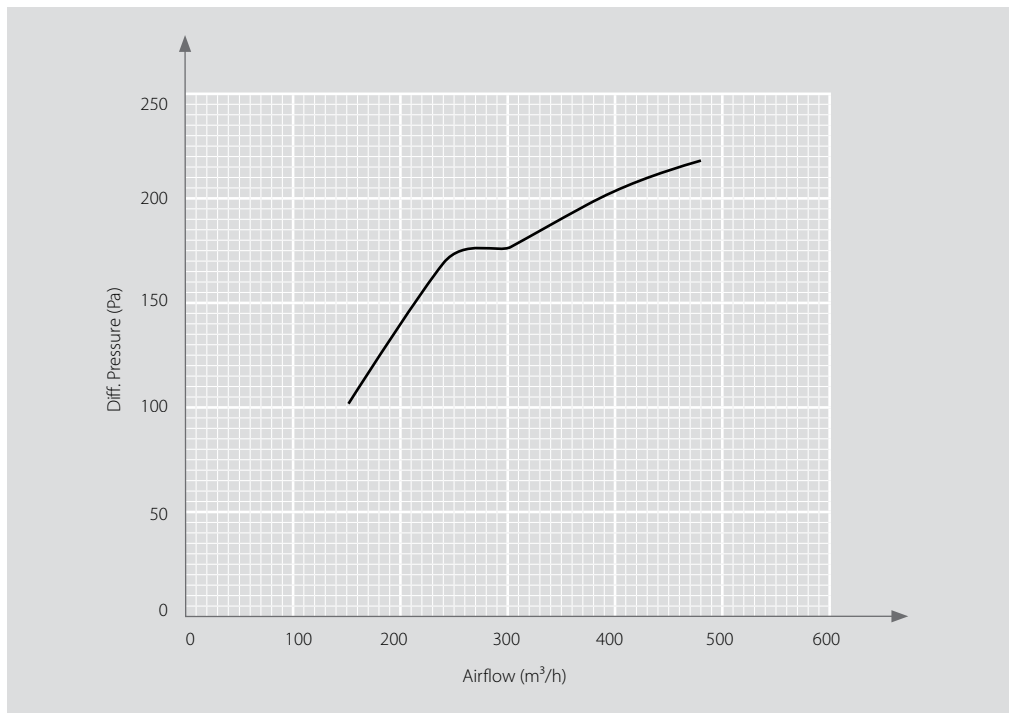
all dimensions are in mm



CERTIFICATIONS:

- Tested and certified to IS 4570 by the Standards Institution of Israel
- Approved by the Civil Defence Command of Israel
- Quality control according to ISO 9001
- Quality assurance according to AQAP 2110

Pressure Drop on Airflow for the A 483:



Specifications for the A 483:

Product No:	B10520	
Airflow Rate:	150 – 600 (90 – 350)	m³/h (cfm)
Pressure Drop:	See Diagram	
Incident Pressure Durability:	300 (42)	kPa (psi)
Reflected Pressure Durability:	1100 (154)	kPa (psi)
Operation Temperature:	+5 to +70 (+40 to +160)	°C (°F)
Mechanical Shock Resistance:	20	g

Specifications are subject to change without prior notice.

Beth-El Zikhron Yaaqov Industries Ltd.

1 Avshalom Road
Zikhron Yaaqov, Israel
Tel: + 972-4-629 0000
www.beind.com