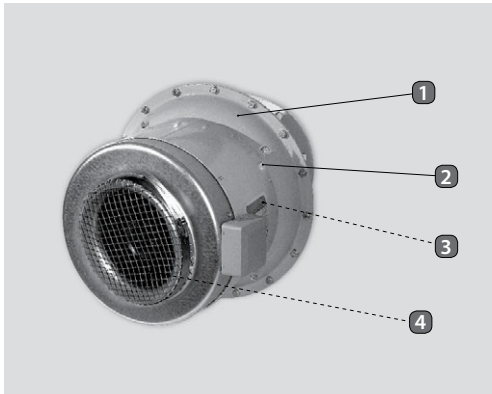


# Overpressure Blast Valve with Blower

Type A 483 – LA 600



## Overview

The Overpressure Blast Valve Type **A 483 – LA 600** is a special valve with an integrated blower that enables ventilation of the protected room (for instance toilets) in peace time. It is used to stop explosive blast waves from entering a bomb shelter, as well as to regulate the air pressure inside the shelter. The valve is tested and certified in accordance with the Israeli Standard 4570 by the Civil Defence Command and the Standards Institution of Israel.

## Description

The Overpressure Blast Valve Type **A 483 – LA 600** is designed to release air from the shelter while maintaining a constant overpressure and also to protect against explosive and implosive blast waves. The valve is normally closed, is maintenance-free, and withstands heat and corrosion. The springs are manufactured from special stainless steel and all steel parts are phosphate treated and finished with a powder coating.

### Illustration:

1. Housing
2. Connecting Tube
3. Closing Disk
4. Integrated Blower

### PRODUCT USE:

- Installed inside the shelter in a vertical position to ensure proper operation
- Installed on an 8" flange according to BS 4504 – PN 6 or DIN 2501 – PN 6
- Should be installed only with equipment that has been manufactured by Beth-El Industries to ensure maximum performance

CBRN-Filtration & Ventilation Systems



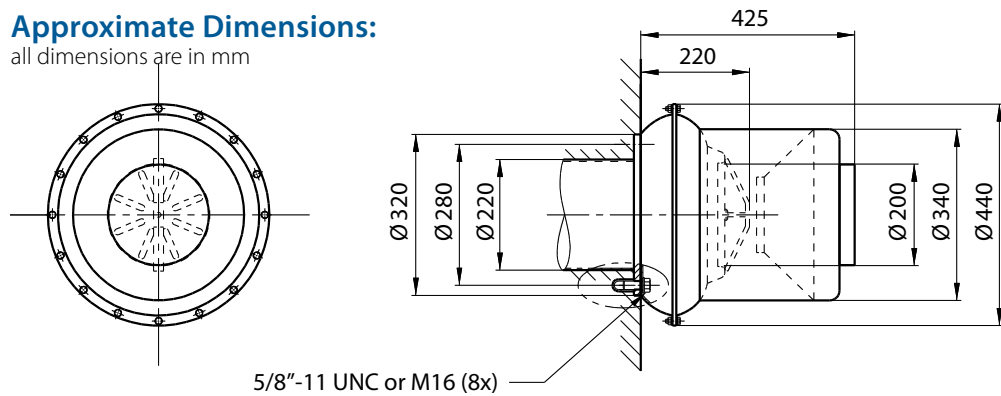
Certified Quality Assurance Program According to **AQAP-2110**



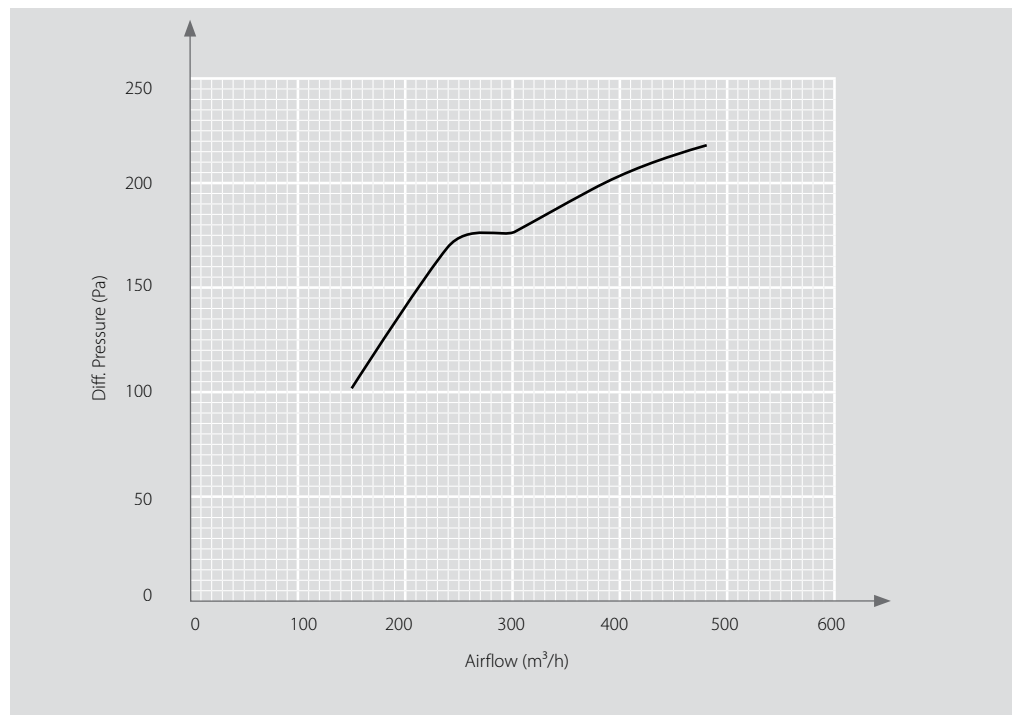


### Approximate Dimensions:

all dimensions are in mm



### Pressure Drop on Airflow for the A 483 – LA 600:



### Specifications for the A 483 – LA 600:

Product No:	B10520	Overpressure Blast Valve
	B24511-02	Blower
Airflow Rate:	150 – 600 (89 – 355)	m³/h (cfm)
Flow Resistance:	See Diagram	
Incident Pressure Durability:	300 (42)	kPa (psi)
Reflected Pressure Durability:	1100 (154)	kPa (psi)
Working Temperature:	+5 to +70 (+40 to +160)	°C (°F)
Mechanical Shock Resistance:	16	g
Airflow in Ventilation Mode:	500 (300)	m³/h (cfm)

Specifications are subject to change without prior notice.

### Beth-El Zikhron Yaaqov Industries Ltd.

1 Avshalom Road  
Zikhron Yaaqov, Israel  
Tel: + 972-4-629 0000  
www.beind.com