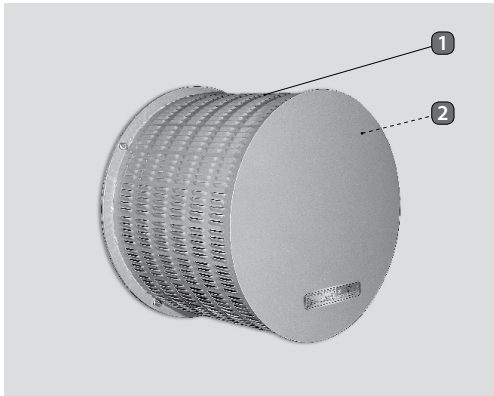


# Overpressure Blast Valve

## Type A 2403



### Description

The Overpressure Blast Valve Type **A 2403** is designed to release air from the shelter while maintaining a constant overpressure and also to protect against explosive and implosive blast waves. The valve is normally closed. It is maintenance-free and withstands heat and corrosion. The springs are manufactured from special stainless steel and all steel parts are phosphate treated and finished with a powder coating.

### Overview

The Overpressure Blast Valve Type **A 2403** is a valve used to stop explosive blast waves from entering a bomb shelter as well as to regulate the air pressure in the shelter. The valve is tested and certified to the Israeli Standard 4570 by the Civil Defence Command and the Standards Institution of Israel.

#### Illustration:

1. Protective Housing
2. Closing Device

#### PRODUCT USE:

- Installed on an 14" flange according to BS 4504 – PN 6 or DIN 2501 – PN 6
- Should be installed only with equipment that has been manufactured by Beth-El Industries to ensure maximum performance

CBRN-Filtration & Ventilation Systems



Certified Quality Assurance Program According to **AQAP-2110**



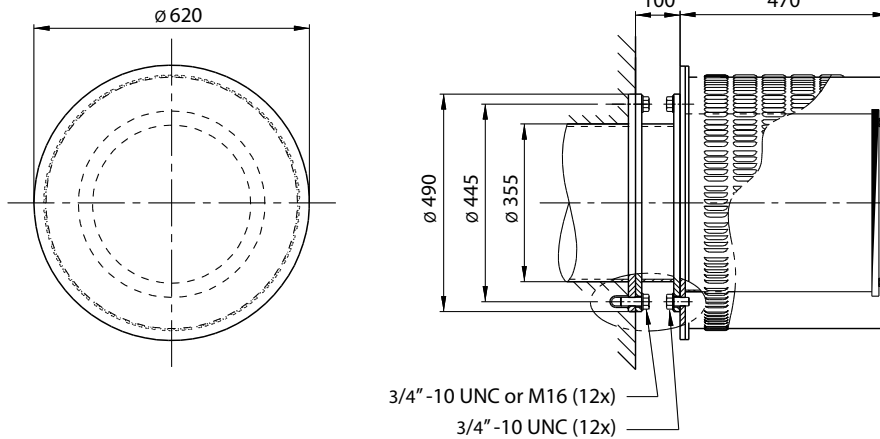


### CERTIFICATIONS:

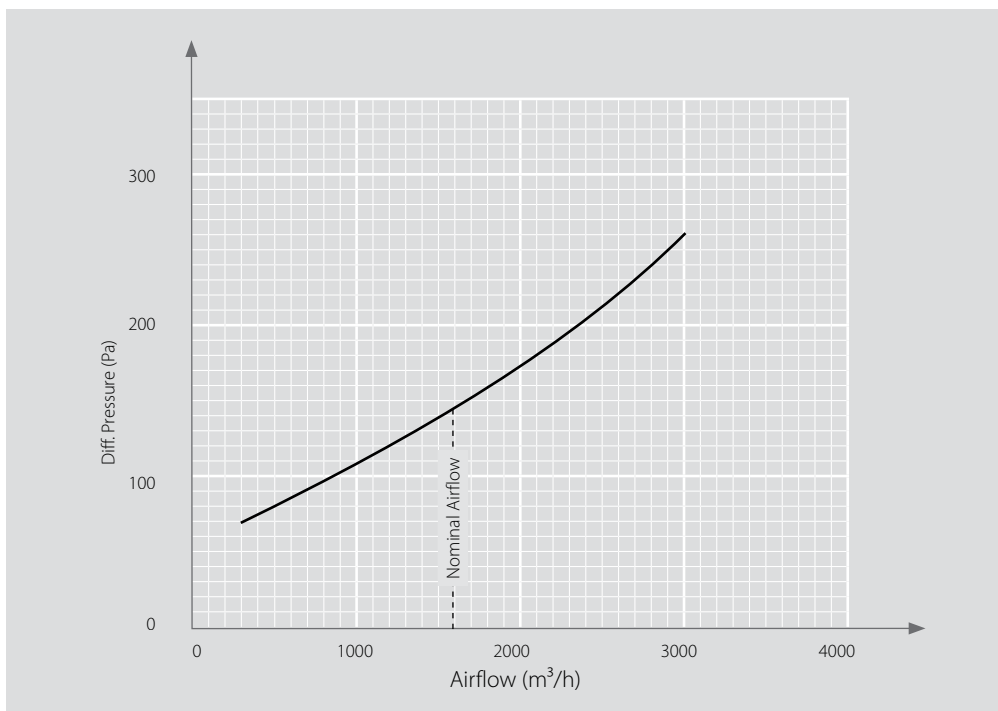
- Tested and certified to IS 4570 by the Standards Institution of Israel
- Approved by the Civil Defence Command of Israel
- Quality control according to ISO 9001
- Quality assurance according to AQAP 2110

### Approximate Dimensions:

all dimensions are in mm



### Pressure Drop on Airflow A 2403:



### Specifications for the A 2403:

Product No:	B10800-01	
Airflow Rate:	800-3000 (475-1770)	m³/h (cfm)
Flow Resistance:	See Diagram	
Incident Pressure Durability:	300 (42)	kPa (psi)
Reflected Pressure Durability:	1100 (154)	kPa (psi)
Working Temperature:	+5 to +70 (+40 to +160)	°C (°F)
Mechanical Shock Resistance:	20	g

Specifications are subject to change without prior notice.

### Beth-El Zikhron Yaaqov Industries Ltd.

1 Avshalom Road  
Zikhron Yaaqov, Israel  
Tel: + 972-4-629 0000  
www.beind.com