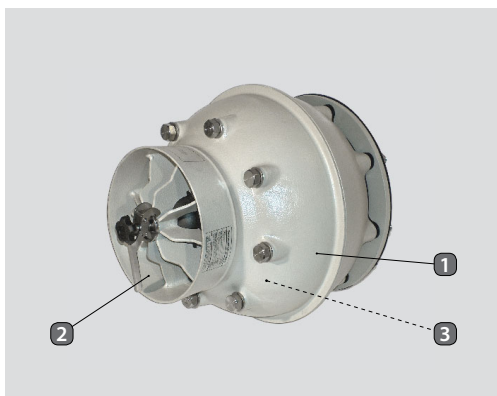


# Overpressure Blast Valve

## Type A 1240

(NATO-Stock-Number 4240-99-667-0740)



### Description

The Overpressure Blast Valve Type **A 1240** is designed to release air from the shelter while maintaining a constant overpressure and also to protect against explosive and implosive blast waves. The valve is normally closed, is maintenance-free, and withstands heat and corrosion. The springs are manufactured from special stainless steel and all steel parts are galvanized to 100 µm and finished with a powder coating.

### Overview

The Overpressure Blast Valve Type **A 1240** is a valve used to stop explosive blast waves from entering a bomb shelter as well as to regulate the air pressure inside the shelter. The valve is tested and certified for compliance to the applicable Israeli, Singaporean, and Swiss standards

#### Illustration:

1. Housing
2. Closing Device
3. Closing Disk

### PRODUCT USE:

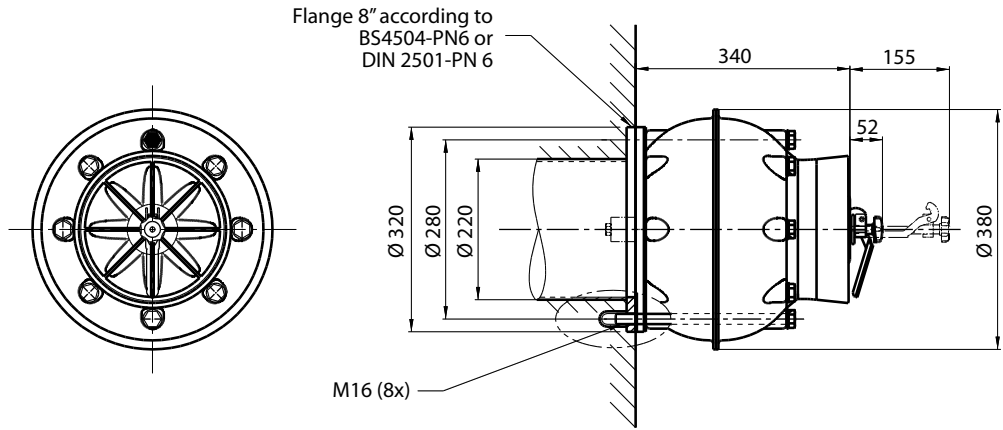
- Installed at the air intake inside the shelter to ensure proper operation
- Installed on an 8" flange according to BS 4504 – PN 6 or DIN 2501 – PN 6
- Should be installed only with equipment that has been manufactured by Beth-El Industries to ensure maximum performance





## Approximate Dimensions:

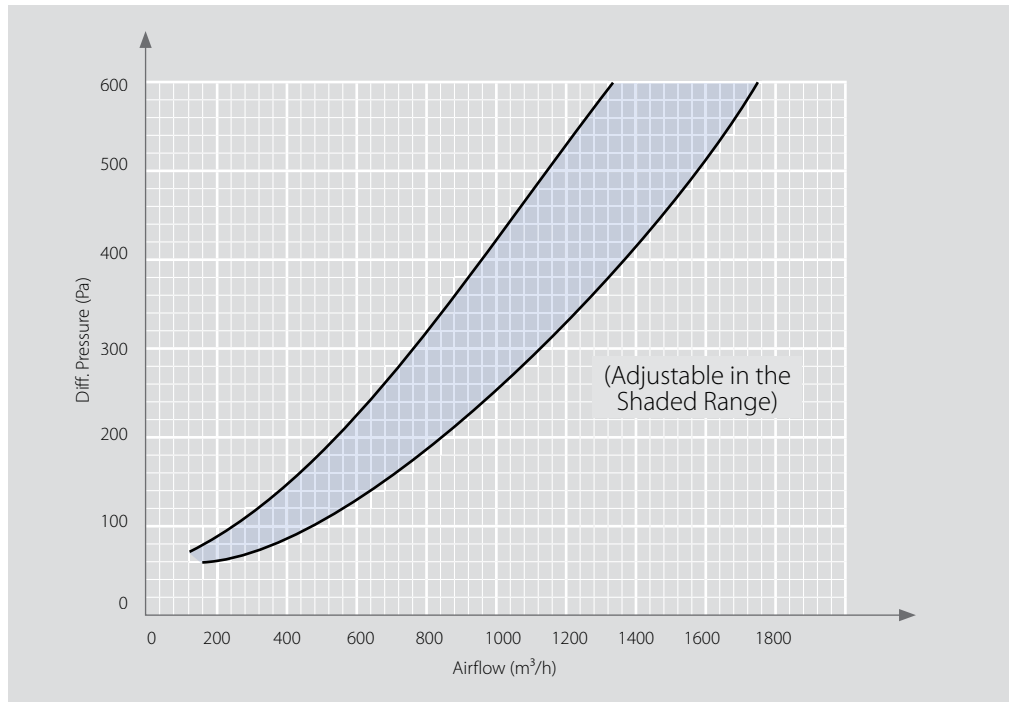
all dimensions are in mm



## CERTIFICATIONS:

- Tested and certified for compliance to the applicable Israeli, Singaporean, and Swiss Standards
- Quality control according to ISO 9001
- Quality assurance AQAP 2110

## Pressure Drop on Airflow A 1240:



## Specifications for the A 1240:

Product No:	B10684	
Airflow Rate:	200-1400 (118-828)	m³/h (cfm)
Flow Resistance:	See Diagram	
Incident Pressure Durability:	1100 (154)	kPa (psi)
Reflected Pressure Durability:	4000 (560)	kPa (psi)
Working Temperature:	+5 to +70 (+40 to +160)	°C (°F)
Mechanical Shock Resistance:	60	g

Specifications are subject to change without prior notice.

## Beth-El Zikhron Yaaqov Industries Ltd.

1 Avshalom Road  
Zikhron Yaaqov, Israel  
Tel: + 972-4-629 0000  
www.beind.com