

Concealed System

Air Ventilation and Filtration for Public Shelters



Model Hidden-66



All walls remain free



Main Advantages

- Out of Sight - Installed overhead above drop ceiling, not occupying usable wall area
- Always Ready - No need to remove or mount anything
- Switch-over from ventilation to filtration mode simply by pulling a handle
- Safe - All components are above an average person's height.
- No exposed ducts
- Manual backup drive stored within system housing and is drawn out only in power failure
- Delivers 800 m³/h fresh air or 400 m³/h filtered air



Compliant with Israeli standard

Development - Design - Production - Installation



Certified Quality Assurance Program According to AQAP-2110





System Description

- All system components - filter, blower, manual backup drive - integrated into one modern housing
- Installable onto the wall right under physical ceiling or above drop ceiling as high as desired, leaving the **wall area below and the floor free** for normal uses.
- Readily connected and configured for delivering 800 m³/h fresh air in conventional times by plugging the power cord in and pressing a switch. In this mode the air flow bypasses the filter
- Under CBRN alert, simply pulling a handle engages the filter, automatically, switching the system into CBRN-Filtration mode. In this mode it delivers 400 m³/h of purified air for up to 66 persons
- A manual backup drive is stored inside the housing behind the service door. In case of power failure it is pulled out and used to operate the blower manually

CERTIFICATIONS (AS OF END-2019)

- Tested and certified by the Standards Institution of Israel and the Israeli Institute for Biological Research
- Approved by the Civil Defence Command
- Quality control according to ISO 9001 and AQAP 2110

Technical Specifications - Model Hidden-66

Part Number

B91500

A. Air Intake Blast Valve with Prefilter ESVF 803/403

Incident Pressure Durability		300	kPa
Pressure Drop	Ventilation Mode (800 m ³ /h)	280	Pa
	Filtration Mode (400 m ³ /h)	70	Pa

B. Ventilation and Filtration System

Weight (incl. housing, filter and blower)		125	kg
Separation Efficiency with Particle Size of 0.3 Micron:		99.995	%
Blower Single Phase Electric Motor:	Voltage	230	Volt
	Frequency	50	Hz
	Current	1.9	Ampere
Manual Operation		4	Persons

C. Overpressure Blast Valve A 803

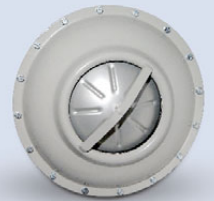
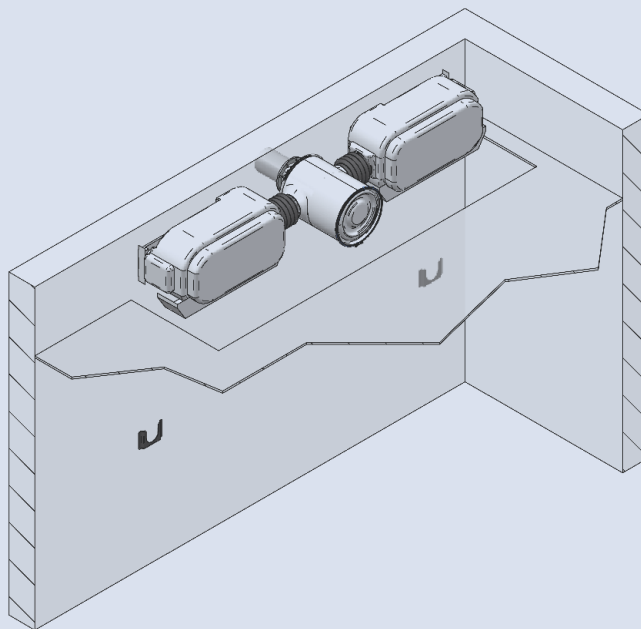
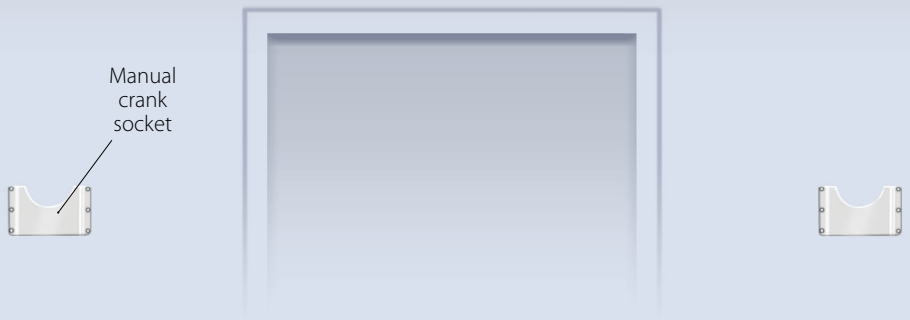
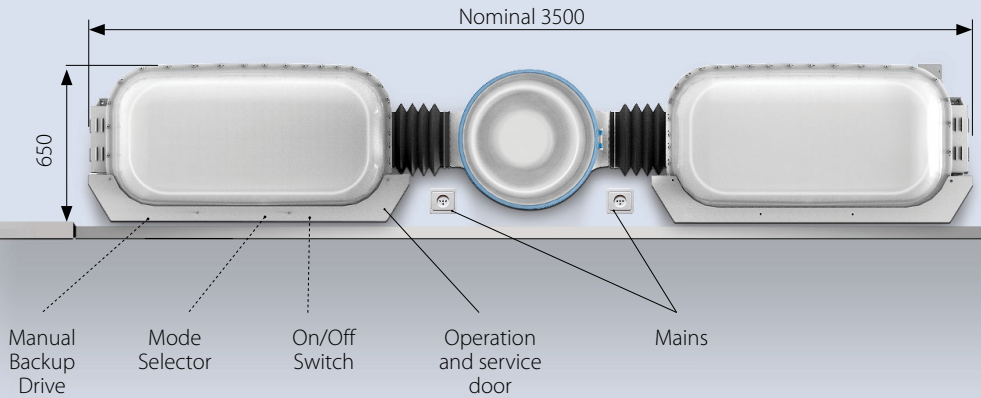
Incident Pressure Durability:		300	kPa
Pressure Drop:	Ventilation Mode (800 m ³ /h)	460	Pa
	Filtration Mode (400 m ³ /h)	190	Pa



Beth-El Industries

Overall Dimensions

(all dimensions are in mm)



**Overpressure
Blast Valve
A 803**

Shelter Design Requirements

Air Intake 8" Wall Sleeve: at least 35 cm below concrete ceiling, but no more than 305 cm from the floor

When installed above drop ceiling: leave access opening 100 x 380 cm below the system. A hatch or a removable cover may be installed over the opening.



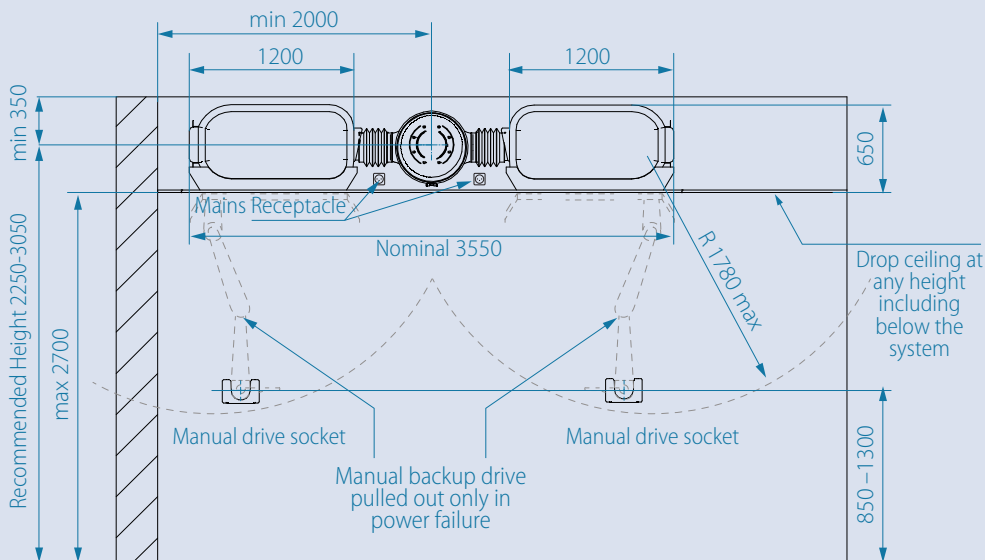
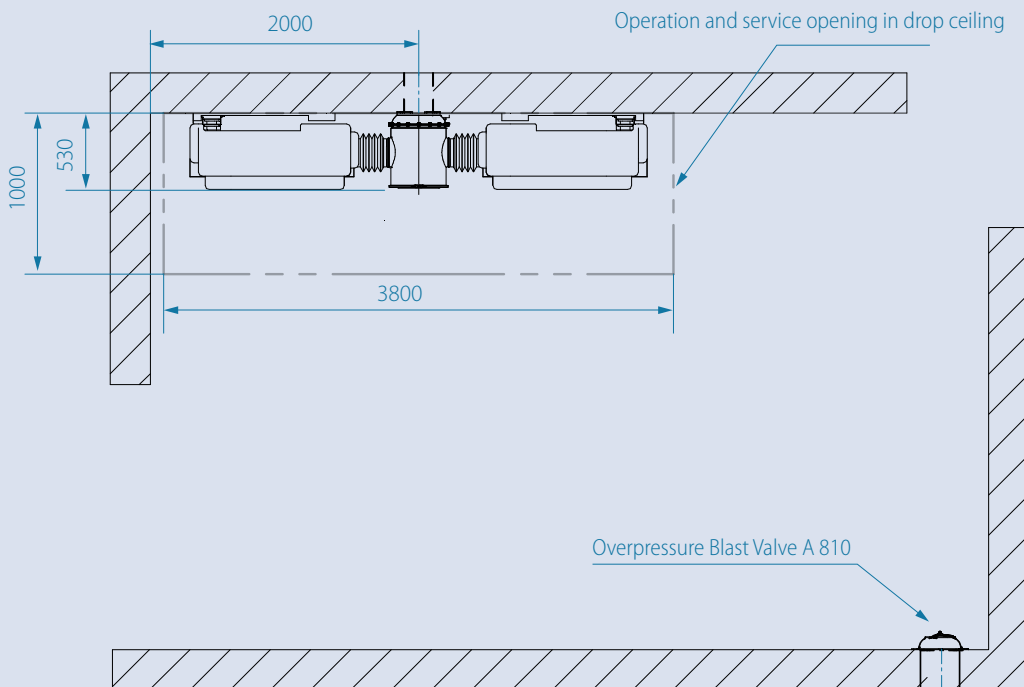


SYSTEM INSTALLATIONS REQUIREMENTS

- **Air Outlet:** 8" flange according to BS 4504 – PN 6 or DIN 2501 – PN 6 located preferably at an outside wall, opposite the air inlet

General Dimensions for Installation - Including Above Drop Ceiling

(all dimensions are in mm)



Beth-El Industries

Beth-El Industries Ltd.

1 Avshalom Road
Zikhron Yaaqov, Israel
Tel: + 972-4-629 9999
www.beind.com

