

# Concealed System

Air Ventilation and Filtration for Public Shelters



## Model Hidden-100G



**All walls remain free**



### Main Advantages

- Out of Sight - Installed overhead above drop ceiling, not occupying usable wall area
- Always Ready - No need to remove or mount anything
- Switch-over from ventilation to filtration mode simply by pulling a handle
- Safe - All components are above an average person's height
- No exposed ducts
- Delivers 1200 m<sup>3</sup>/h fresh air or 600 m<sup>3</sup>/h filtered air
- Without manual operation. Backup of emergency power generator required



**Compliant with Israeli standard**

Development - Design - Production - Installation



Certified Quality Assurance Program According to AQAP-2110





## System Description

- All system components - filter, blower - integrated into one modern housing
- Installable onto the wall right under physical ceiling or above drop ceiling as high as desired, leaving the **wall area below and the floor free** for normal uses
- Readily connected and configured for delivering 1200 m<sup>3</sup>/h fresh air in conventional times by plugging the power cord in and pressing a switch. In this mode the air flow bypasses the filter
- Under CBRN alert, simply pulling a handle engages the filter, automatically switching the system into CBRN-Filtration mode. In this mode it delivers 600 m<sup>3</sup>/h of purified air for up to 100 people
- There is no manual backup drive in this system. A backup of an emergency power generator is required In case of power failure

## CERTIFICATIONS

- Tested and certified by the Standards Institution of Israel and the Israeli Institute for Biological Research
- Approved by the Civil Defence Command
- Quality control according to ISO 9001 and AQAP 2110

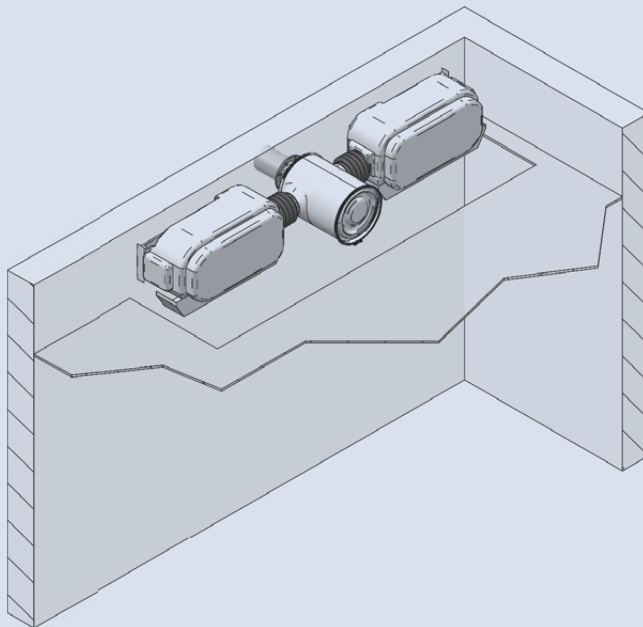
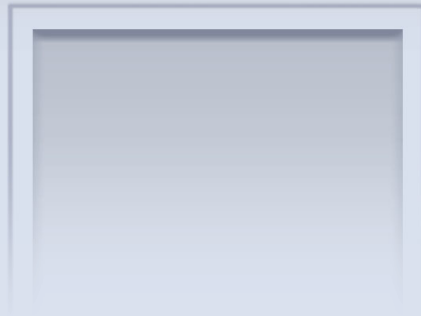
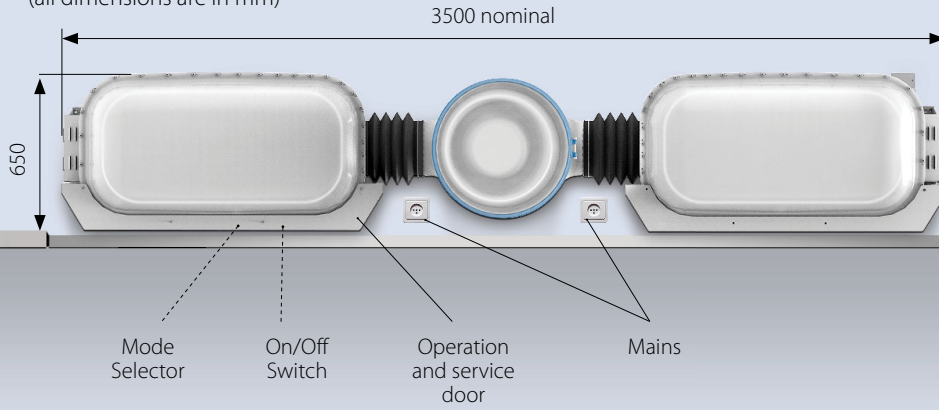
### Technical Specifications - Model Hidden-100 G

<b>Product No:</b>		<b>B90600AA</b>	
<b>A. Air Intake Blast Valve with Prefilter ESVF 1203</b>		<b>B02670##</b>	
Incident Pressure Durability:		300	kPa
Pressure Drop:	Ventilation Mode (1200 m <sup>3</sup> /h)	170	Pa
	Filtration Mode (600 m <sup>3</sup> /h)	50	Pa
<b>B. Ventilation and Filtration System (2 units)</b>		<b>B70203AB B70203AC</b>	
Weight (incl. housing, filter and blower):		100	kg
Separation Efficiency with Particle Size of 0.3 µm:		99.995	%
Blower Single Phase Electric Motor:	Voltage	230	Volt
	Frequency	50	Hz
	Current	1.9	Ampere
<b>C. Overpressure Blast Valve A 810 (2 units)</b>		<b>B10601AA</b>	
Incident Pressure Durability:		300	kPa
Pressure Drop:	Ventilation Mode (600 m <sup>3</sup> /h)	275	Pa
	Filtration Mode (300 m <sup>3</sup> /h)	140	Pa

Specifications are subject to change without prior notice.

### Overall Dimensions

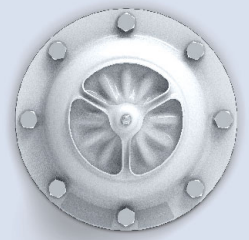
(all dimensions are in mm)



### Shelter Design Requirements

**Air Intake 8" Wall Sleeve:** at least 35 cm below concrete ceiling.

**When installed above drop ceiling:** leave access opening 100 x 380 cm below the system. A hatch or a removable cover may be installed over the opening.



**Overpressure  
Blast Valve  
A 810**



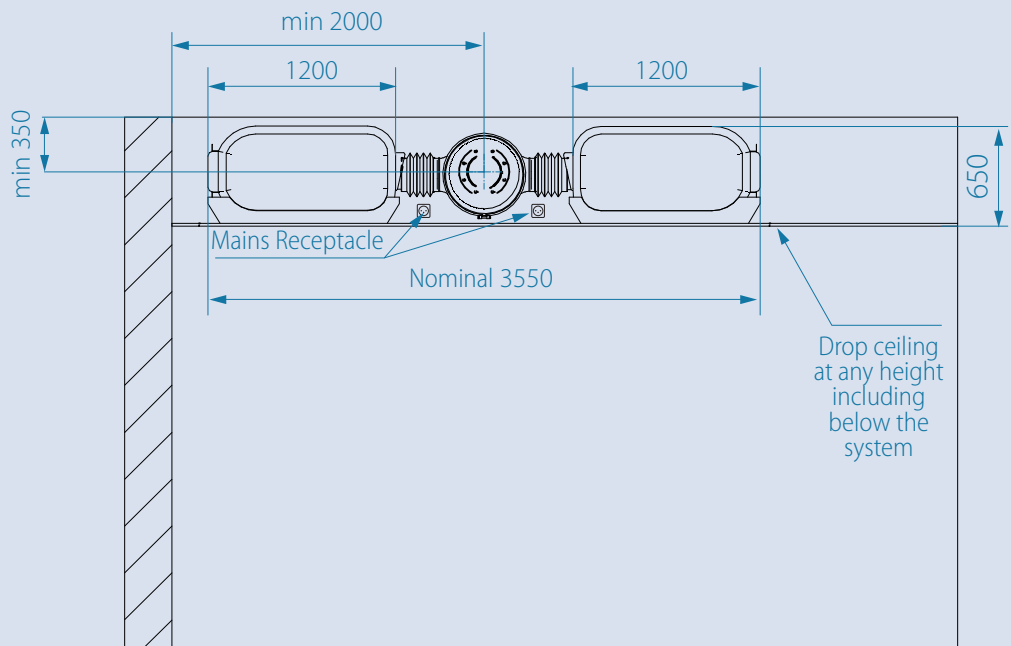
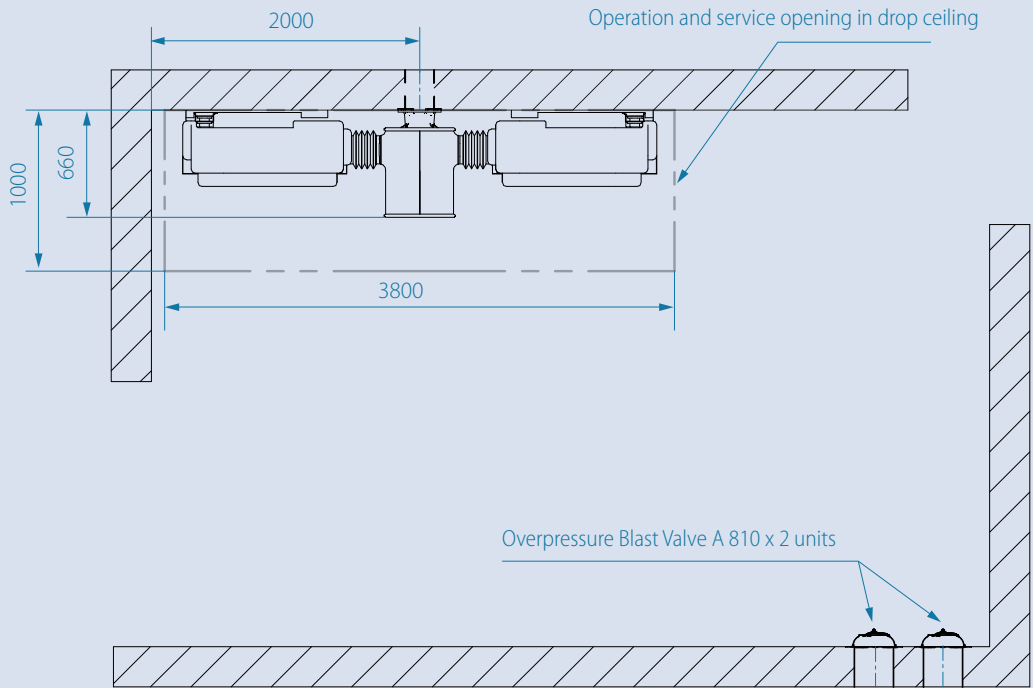


**SYSTEM INSTALLATIONS REQUIREMENTS**

- **Air Outlet:** 8" flange according to BS 4504 – PN 6 or DIN 2501 – PN 6 located preferably at an outside wall, opposite the air inlet

**General Dimensions for Installation - Including Above Drop Ceiling**

(all dimensions are in mm)



Beth-El Industries

**Beth-El Industries Ltd.**

1 Avshalom Road  
Zikhron Yaaqov, Israel  
Tel: + 972-4-629 9999  
www.beind.com

