

# NBC-Filtration System

## Type FA 1600/600

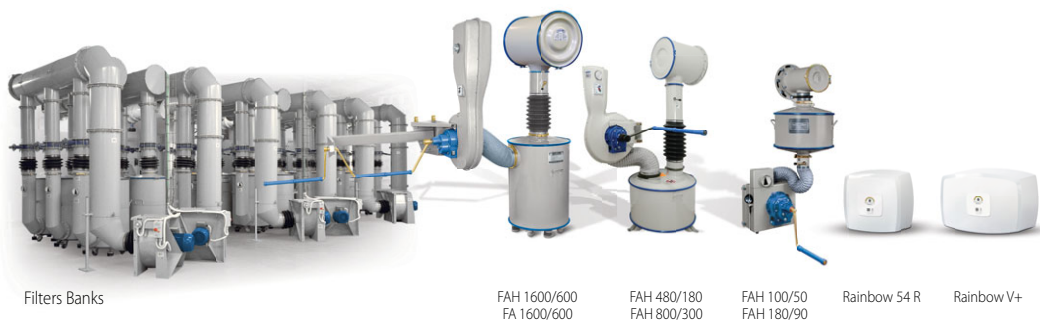


Certified in Compliance with the:  
Israeli Standard 4570, by the **ISRAEL STANDARDS INSTITUTION**  
and the **ISRAELI CIVIL DEFENCE COMMAND**

### FEATURES:

- NBC protection for 100 people (according to the Israeli standard)
- Applications in large collective shelters such as within hospitals, hotels, and office buildings, etc.

Development - Design - Production - Installation



Certified Quality Assurance Program According to **AQAP-2110**





## Description of the Type FA 1600/600:

The ventilation and NBC-Filtration system **Type FA 1600/600** is a collective filtration system intended for the protection of up to 100 persons in airtight shelters and compartments. The system provides 1600 m<sup>3</sup>/h (940 cfm) fresh air in the case of conventional warfare, or 600 m<sup>3</sup>/h (350 cfm) filtered air in the case of NBC (Nuclear/Biological/Chemical) warfare.

The system creates overpressure inside the protected area providing a safe and comfortable environment without the need for gas masks or protective clothing. The system is operated by normal electric power.

### CERTIFICATIONS:

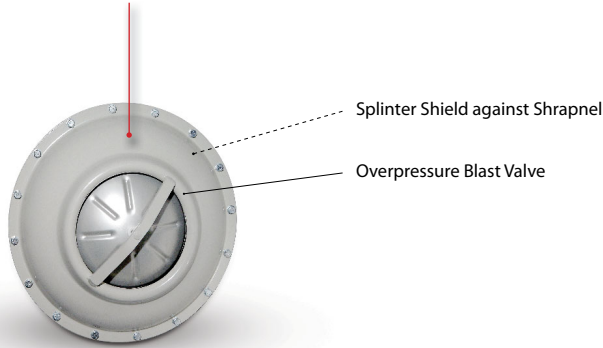
- Tested and certified by the Standards Institution of Israel and the Israeli Institute for Biological Research
- Approved by the Civil Defence Command
- CE – Hallmarks for electrical safety and EMI compliance
- Quality control according to ISO 9001: 2008 and AQAP 2110

### Technical Specifications of the FA 1600/600:

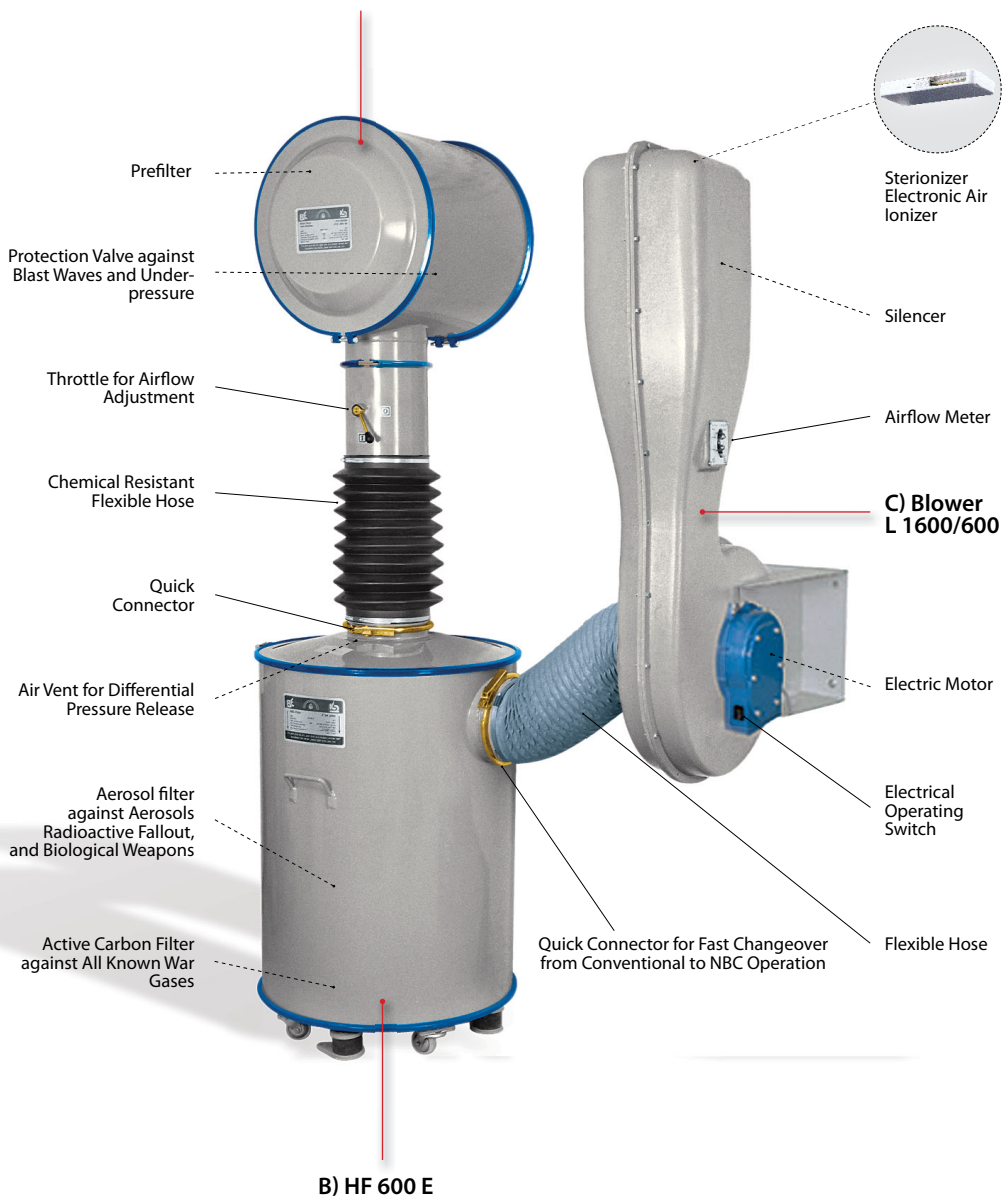
Product Number		B90305	
<b>A) Blast Valve with Prefilter ESVF 1603:</b>			
Product Number:		B02720	
Pressure Durability:		300 (42)	kPa (psi)
Pressure Drop:	(@ 1600 m <sup>3</sup> /h) Ventilation Mode:	370 (1.48)	Pa (inch WC)
	(@ 600 m <sup>3</sup> /h) Filtration Mode:	50 (0.2)	Pa (inch WC)
<b>B) NBC-Filter HF 600 E:</b>			
Product Number:		B35400	
Airflow Rate:		600 (353)	m <sup>3</sup> /h (cfm)
Pressure Drop:		525 (2.1)	Pa (inch WC)
Total Weight:		156 (343)	kg (lb)
Separation Efficiency with Particle Size of 0.3 Micron:		99.995	%
<b>C) Blower L 1600/600:</b>			
Product Number:		B20511 (1-phase for Floor Connection) B20517 (1-phase for Wall Connection) B20513 (3-phase for Wall & Floor Connection)	
Airflow:	Ventilation Mode:	1600 (941)	m <sup>3</sup> /h (cfm)
	Filtration Mode:	600 (353)	m <sup>3</sup> /h (cfm)
Air Pressure:	Ventilation Mode:	1175 (4.7)	Pa (inch WC)
	Filtration Mode:	1675 (6.7)	Pa (inch WC)
Electric Motor:	Voltage -(1-phase):	230	Volt
	Current:	4.2	Ampere
<b>D) Overpressure Blast Valve A 803 (x 2):</b>			
Product Number:		B10600	
Pressure Durability:		300 (42)	kPa (psi)
Pressure Drop:	Ventilation Mode:	260 (1.04)	Pa (inch WC)
	Filtration Mode:	130 (0.52)	Pa (inch WC)

Specifications are subject to change without prior notice.

**D) Overpressure Blast Valve A 803  
(2 units for air release)**



**A) Blast Valve with Prefilter  
ESVF 1603**



**SYSTEM FEATURES:**

- Additional performance capabilities for use in subtropical and tropical environments
- High blast protection developed from the gulf war experiences





Beth-El Industries

## NBC-Filtration System Type FA 1600/600

### Approximate Dimensions:

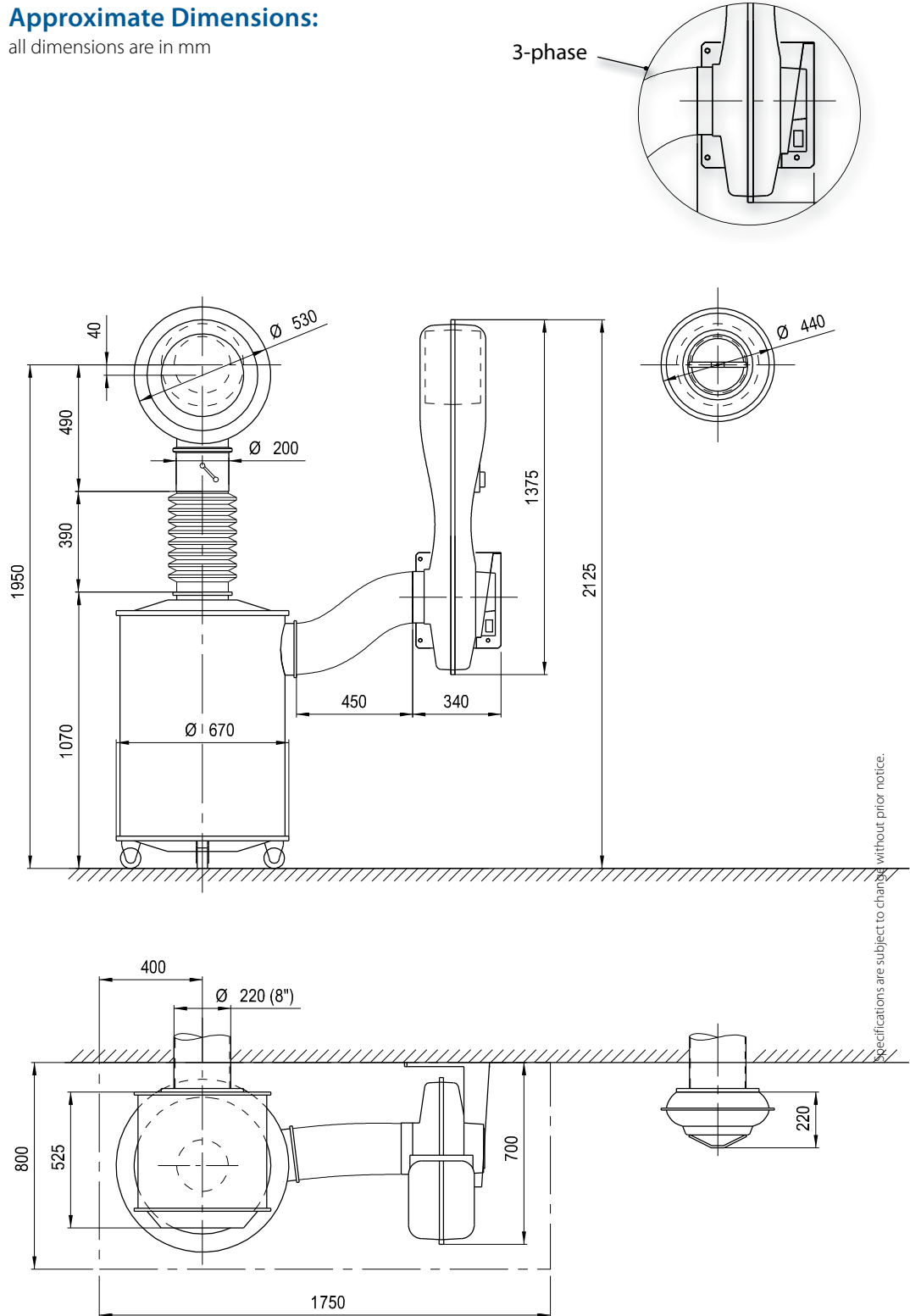
all dimensions are in mm

#### INSTALLATION REQUIREMENTS:

- Standard airtight shelter/compartment
- Air inlet:  
8" flange according to BS 4504 – PN 6 or DIN 2501 – PN 6 in an outer wall

Centre line:  
1.85 – 2.10 m  
(75 – 85 inches)  
above the Floor

- Air outlet:  
8" flange according to BS 4504 – PN 6 or DIN 2501 – PN 6 located preferably opposite the air inlet



Specifications are subject to change without prior notice.

#### Beth-El Zikhron Yaaqov Industries Ltd.

1 Avshalom Road  
Zikhron Yaaqov, Israel  
Tel: + 972-4-629 0000  
www.beind.com